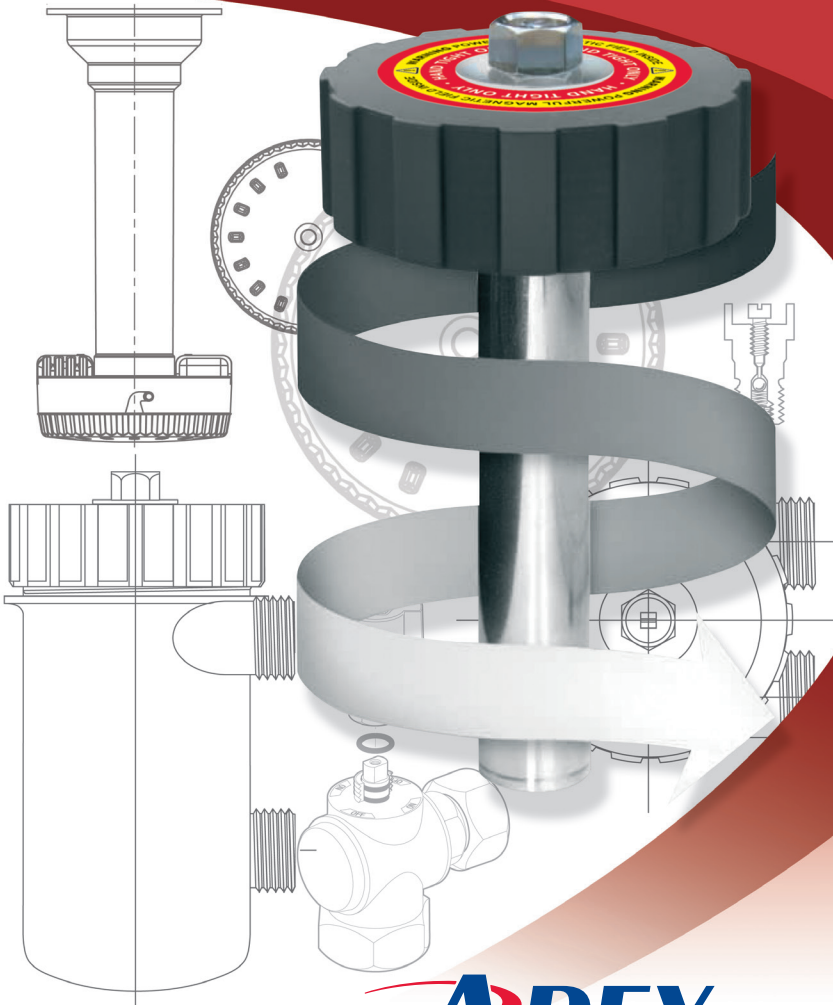


# MagnaClean®

## *Professional* Installation and servicing instructions



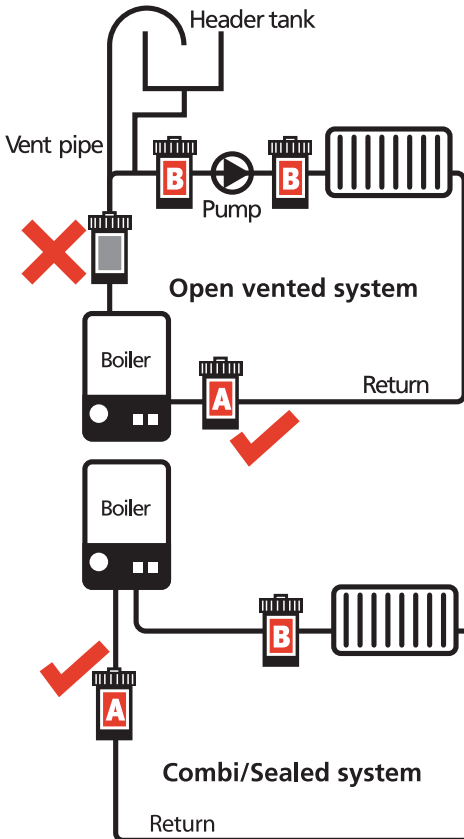
**ADEY**

PROFESSIONAL HEATING SOLUTIONS

# Installation

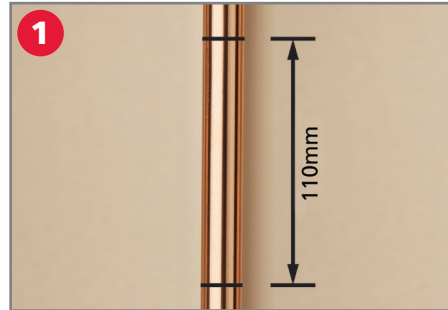
*MagnaClean® Professional* is suitable for all central heating systems and can be fitted anywhere on the main circuit. However, in order to achieve the best protection for the boiler, it is recommended that *MagnaClean Professional* is fitted after the last radiator before the boiler. In determining a suitable location for installation, it is important to ensure you allow adequate access for servicing.

The following instructions are designed to assist engineers in the safe and effective installation and servicing of ADEY's *MagnaClean Professional* and should be followed at all times. Any queries arising from either installation or servicing should be directed to your supervisor or ADEY direct on **01242 546700**.

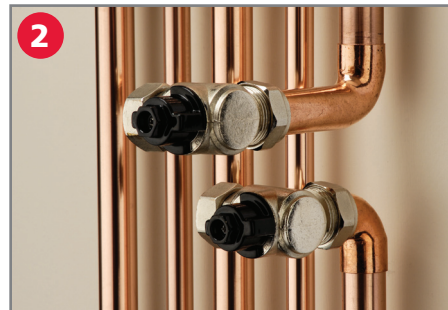


In both diagrams, position **A** is best practice while **B** is suitable.

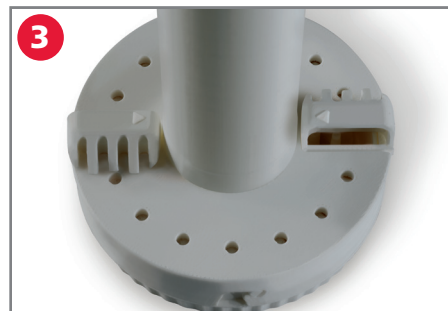
N.B. We firmly recommend *MagnaClean Professional* installed and serviced by a qualified heating engineer.



Drain the central heating system or plug-off feed and expansion tank and release the system pressure. Measure and mark a 110mm section for a 22mm unit and a 195mm section for a 28mm unit when making the connections with elbows supplied, as shown in 2 below. When installing beneath a boiler or other object, allow 250mm clearance from the top of the canister to beneath the object, to enable the lid assembly to be removed when servicing. This applies to both 22mm and 28mm *MagnaClean Professional* filters.



Using a suitable cutter, carefully remove the marked section of pipework to create the correct opening. Prepare the pipe and fittings accordingly. Lubricate the olives and assemble the valves on the pipe. Hand tighten.



**IMPORTANT** – Ensure the louvres are in the correct position according to the flow. If the flow enters the bottom inlet, both louvre triangles should point to the sheath stem. If the flow enters the top inlet, both louvre triangles should point away from the sheath stem.

## Servicing



Loosely secure the *MagnaClean Professional* to the valves. Grip the *MagnaClean* canister and tighten the compression fittings being careful not to over tighten.



Loosen off the valve flange nuts and insert the rubber washers provided. Thoroughly tighten the flange nuts. Do not over tighten. Refill the heating system.

6

Your system is protected by  
**MagnaClean®**  
Annual service required  
[www.adeysolutions.co.uk](http://www.adeysolutions.co.uk)

Run the central heating system, checking for leaks. Attach the self-adhesive *MagnaClean* label, as above, to the boiler. Always service the filter before leaving the premises. The lid and valve spanner can be left with the customer.



**IMPORTANT** – Before commencing any servicing work, turn off electrical supply to the boiler. Ensure the water is not too hot to undertake work on the system. Turn off both isolation valves to the marked OFF position. Loosen the air vent to release internal pressure. When venting, protect the surface beneath the *MagnaClean Professional* with a dust sheet or container to capture any drops of water.



Using the *MagnaClean Professional* lid spanner, carefully unscrew the lid.

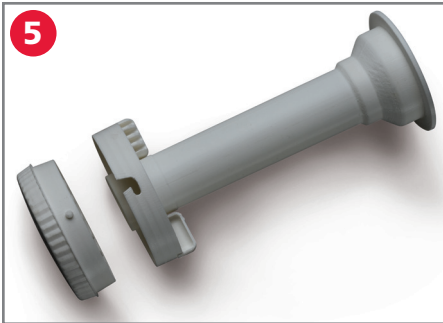


Remove the complete lid assembly from the *MagnaClean Professional*. Turn the lid assembly upside down in order that the underside of the lid acts as a drip tray.

## Chemical dosing



Wrap paper towelling around the build-up of sludge on the plastic sheath. Place lid assembly over a bucket and remove the plastic sheath from the magnet, remove the sludge then rinse clean.



Unlock the base of the sheath and remove the debris collector. Rinse until all non-magnetic debris has been removed. Replace and secure the debris collector onto the sheath and place back into the *MagnaClean Professional*. Insert the magnet lid assembly and tighten until sealed.



Open the isolation valves to the marked ON position and vent/bleed through the Pro-Fill air vent. Protect the surface beneath the *MagnaClean Professional* with a dust sheet or container to capture any drops of water. Run the central heating system while checking for leaks. Repeat servicing steps 1 - 6 if required. Ensure the filter is thoroughly clean before leaving the premises.



With a standard radiator key remove the Pro-Fill air vent. The built-in, one-way valve will prevent water from escaping. Attach chemical adapter and feed in chemical.



Wait for five seconds before removing the adapter. The Pro-Fill air vent will accept all market-leading chemicals in either liquid or concentrate form.



Replace the Pro-Fill air vent. Allow the system to circulate for 30 seconds. Open the Pro-Fill screw two turns and back-flush until clear.

# Your questions answered

**Q. Where can I fit *MagnaClean® Professional*?**

A. *MagnaClean Professional* is suitable for all central heating systems and can be fitted anywhere on the main heating circuit. In order to achieve the best protection for the boiler, it is recommended that *MagnaClean Professional* is fitted between the last radiator and the boiler (see diagram overleaf). In determining a suitable location for installation, it is important to allow adequate access for servicing.

**Q. Which connection on the *MagnaClean Professional* is the flow and which is the return?**

A. The inlet and outlet on *MagnaClean Professional* are reversible and there is no flow restriction.

**Q. Which way do I fit the louvres into the sheath?**

A. If the flow enters the bottom inlet, both louvre triangles should point to the sheath stem. If the flow enters the top inlet, both louvre triangles should point away from the sheath stem.

**Q. Can I fit *MagnaClean Professional* horizontally?**

A. *MagnaClean Professional* can be fitted in any orientation. Each isolation valve can rotate through 360° making it possible to install in a vertical position on horizontal pipework.

**Q. How often do I service *MagnaClean Professional*?**

A. *MagnaClean Professional* has been designed to retain, on average, a year's build-up of debris. Therefore, servicing is required once a year with the annual boiler service. If the system has a heavy debris build-up, or a power-flush was not carried out, we recommend cleaning the filter at appropriate intervals during the first year of installation and annually thereafter. It is simple to service the filter, following the instructions overleaf.

**Q. Can I use chemicals with *MagnaClean Professional*?**

A. Yes. You can use any chemical or acid agents on the market with *MagnaClean Professional*. The patented Pro-Fill air vent has been designed to allow installers to insert chemicals directly into the system as described overleaf. Chemical dosing kits for this purpose are available to purchase through local plumbing merchants. Alternatively, remove the lid and use the canister as a dosing vessel.

**Q. What is the lifespan of *MagnaClean Professional*?**

A. *MagnaClean Professional* has been designed to last for the lifetime of the boiler, normally ten years. It provides continuous protection and comes with a two year limited warranty. Registering your warranty is straightforward and can be done online at [www.adeysolutions.co.uk](http://www.adeysolutions.co.uk)

**Q. How do I isolate the valves?**

A. Simply turn the valves to the marked OFF position using the spanner provided. The valves rotate 360° in either direction. **IMPORTANT: Switch off the electrical supply to the boiler when servicing *MagnaClean Professional*.**

**Q. What can I install on 28mm pipework?**

A. We recommend installing *MagnaClean Professional* 28mm which has been designed for this purpose. *MagnaClean Professional* 28mm can also be installed onto 22mm pipework where greater sludge capacity is required.

**Q. I have a pacemaker, will *MagnaClean Professional* affect me?**

A. As with all magnetic products, if you have a pacemaker caution should be taken at all times when handling *MagnaClean Professional*. When *MagnaClean Professional* is installed, the magnetic field outside the canister is approximately one-tenth of an average fridge magnet.



# MagnaClean®

**Professional**

# MagnaClean<sup>®</sup>

## Professional

**Developed by independent heating specialists ADEY Professional Heating Solutions, *MagnaClean Professional* has been specifically designed for the efficient maintenance of central heating systems.**

We live in an age of high efficiency boilers, but for many years, little attention has been given to the cleanliness of central heating systems. The majority of systems suffer from black iron oxide contamination. This creates thick sludge deposits which are the result of corrosion taking place within radiators and other metallic components.

The oxide particles range from very large to sub-micron in size with the latter leaching into the system water continuously during use. These particles bond to all components often causing premature failure of pumps and valves. When they contaminate the boiler heat exchanger and pipework, it results in a dramatic loss of efficiency.

It is widely recognised that even a minimal build-up results in a serious drop in boiler efficiency. *MagnaClean Professional* has been carefully designed to remove these particles from suspension while at the same time allowing a 100% flow rate through the system.

Installation is simple with each isolation valve rotating through 360° and therefore supporting any number of location options. These valves have been specifically designed for use with *MagnaClean Professional* and have high quality seals.

An added advantage for installers is the Pro-Fill air vent built in to the lid. This special vent incorporates a unique, one-way valve, allowing the installer to inject corrosion inhibitor chemicals directly into the *MagnaClean Professional* canister without the need to isolate any part of the system. Just remove the air vent screw, inject the chemical and replace the air vent screw. It's that simple.

Saves up to 6% a year on heating energy bills.

The product is backed by a two year limited warranty.

### IMPORTANT

Always follow the Standard Electrical Best Practice guidelines when installing *MagnaClean Professional*.

A copy of these guidelines can be found at [www.hse.gov.uk/electricity](http://www.hse.gov.uk/electricity).

The inlet and outlet on *MagnaClean Professional* are reversible and there is no flow restriction.

Following installation, don't forget to complete the warranty card. Alternatively, complete the warranty registration online at [www.adeysolutions.co.uk](http://www.adeysolutions.co.uk)

Faulty components can be returned under manufacturer's warranty – Contact ADEY Customer Care Department on 01242 546700 for further information.



**PROFESSIONAL HEATING SOLUTIONS**

Telephone: 01242 546700 Email: [info@adeysolutions.co.uk](mailto:info@adeysolutions.co.uk)

[www.adeysolutions.co.uk](http://www.adeysolutions.co.uk)



Produced from recycled material